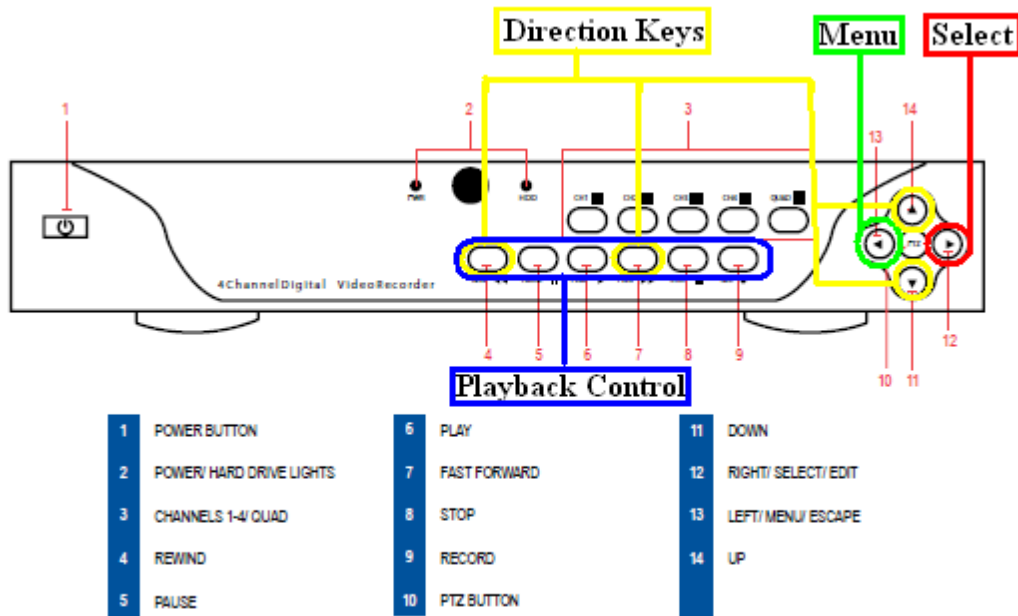


# QSD9004 Video Playback

**STEP 1:** Press the Menu button on the Front Panel of the DVR

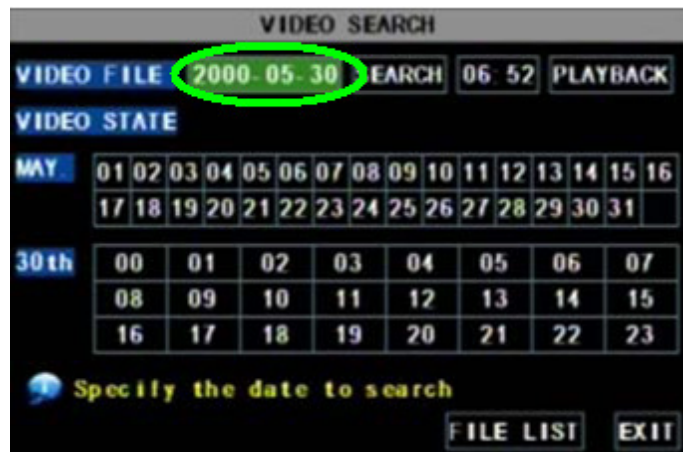


**STEP 2:** Using the direction keys, move the cursor to “SEARCH” and hit Select



## QSD9004 Video Playback

**STEP 3:** Using the direction keys and the select button, input the date you want to back up files for

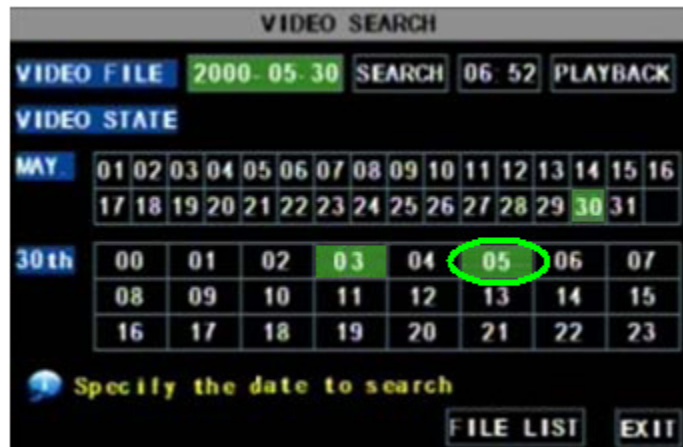


**STEP 4:** Once the date is selected, move the cursor to “SEARCH” and press select



## QSD9004 Video Playback

**STEP 5:** Move the cursor to the hour and press select.



**STEP 6:** A screen will pop up showing the recordings you searched for. You can use the Playback Control buttons to fast forward, rewind, pause, play, and stop the playback.

