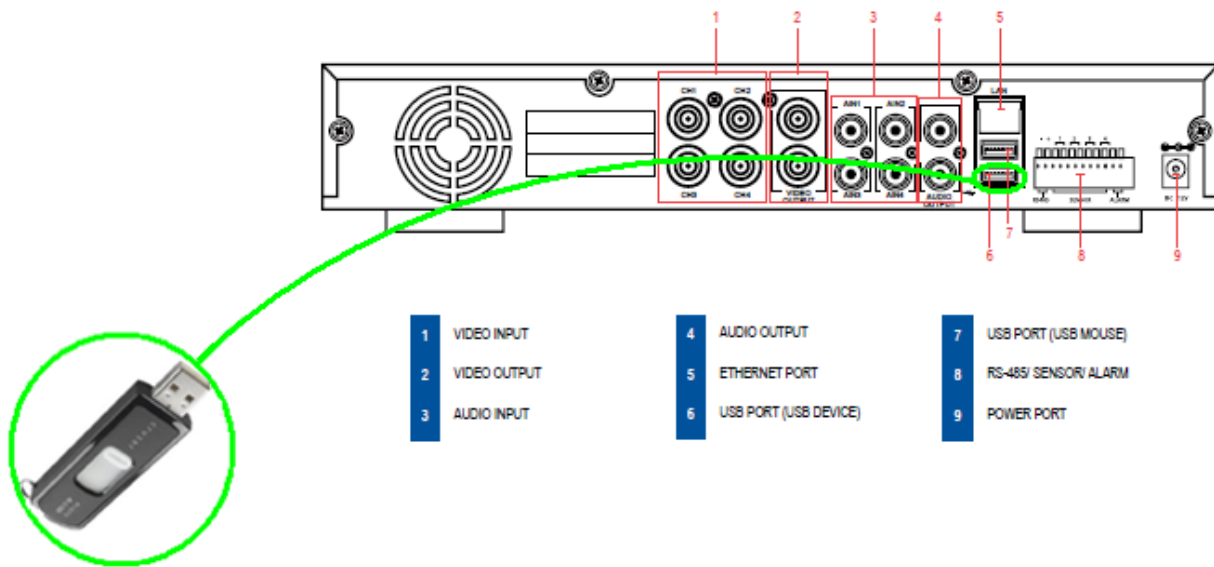
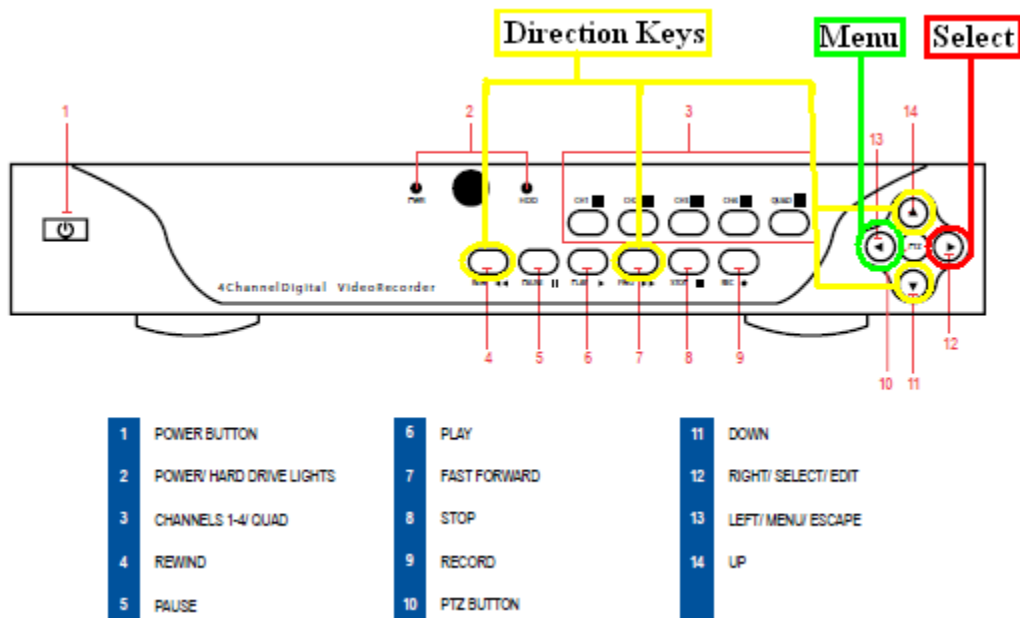


QSD9004 Video Backup

STEP 1: Put a USB flashdrive into the USB port in the back of the DVR



STEP 2: Press the Menu button on the Front Panel of the DVR

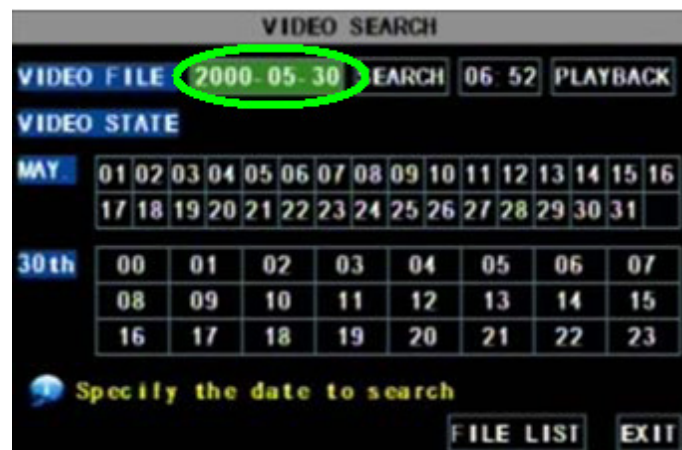


QSD9004 Video Backup

STEP 3: Using the direction keys, move the cursor to “SEARCH” and hit Select



STEP 4: Using the direction keys and the select button, input the date you want to back up files for

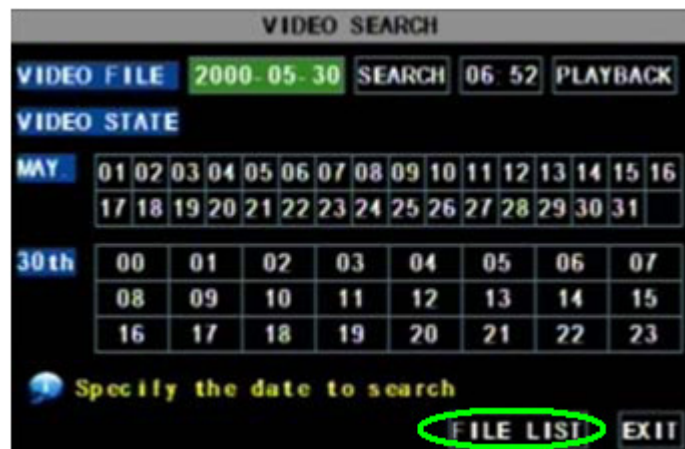


QSD9004 Video Backup

STEP 5: Once the date is selected, move the cursor to “SEARCH” and press select

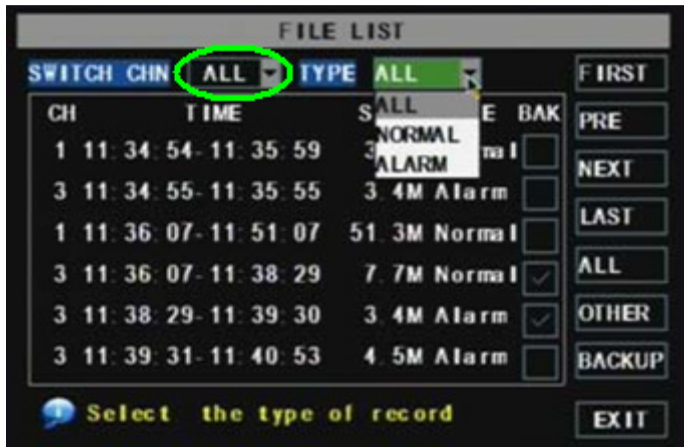


STEP 6: Move the cursor to “FILE LIST” and hit Select

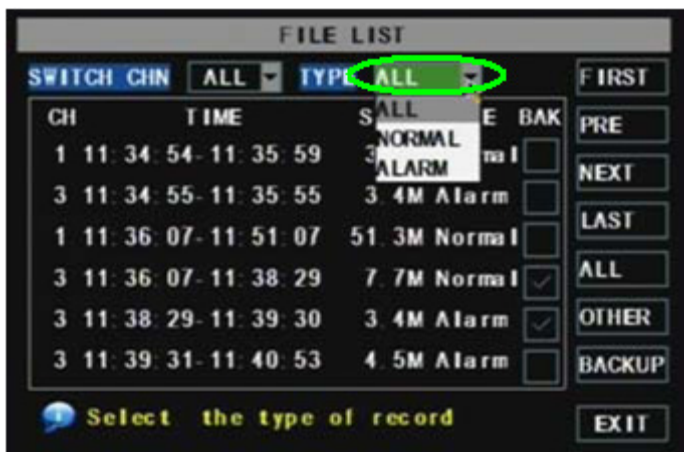


QSD9004 Video Backup

STEP 7: Choose which channel of the file you wish to back up



STEP 8: Choose the recording type of the file you wish to back up



QSD9004 Video Backup

STEP 9: Put a checkmark in the box next to the file you wish to back up



STEP 10: Move the cursor to "BACKUP" and press select



QSD9004 Video Backup

STEP 11: A progress bar will pop up



STEP 12: Once the files are backed up successfully, move the cursor to "OK" and press "Select".

