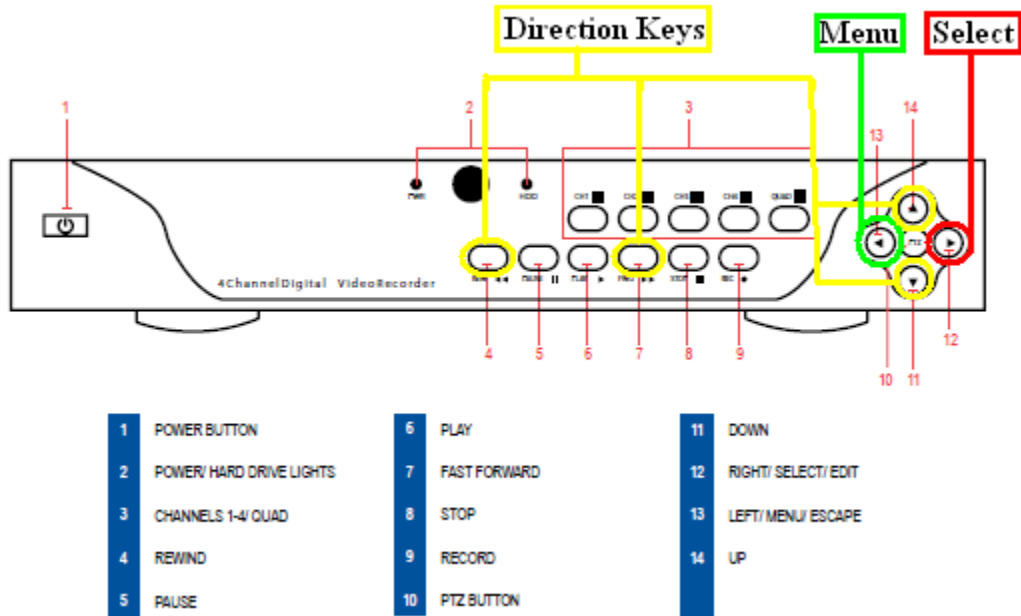


QSD9004 Setting up the Sequence Feature

STEP 1: Press the Menu button on the Front Panel of the DVR



STEP 2: Move cursor to “CAMERA” press the “Select” button on the front panel of the DVR.

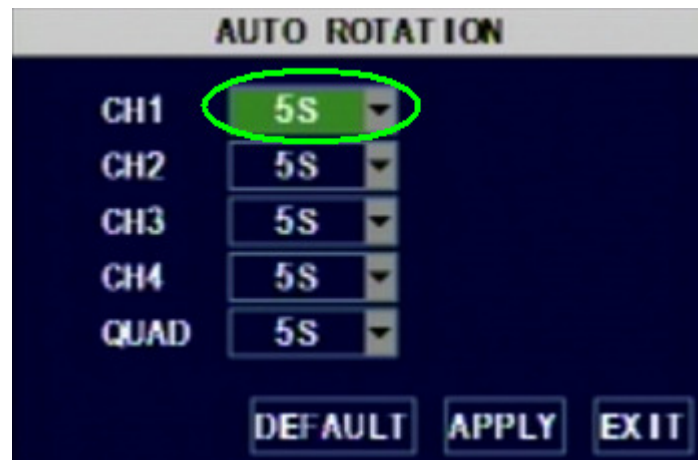


QSD9004 Setting up the Sequence Feature

STEP 3: Move the cursor to “AUTOSEQ” and press “Select”.

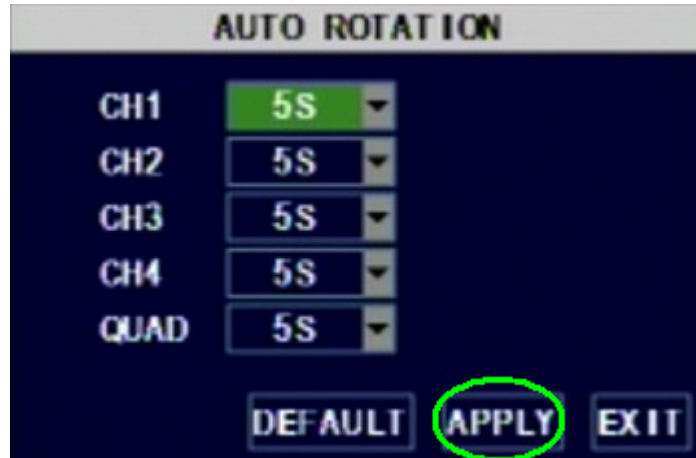


STEP 4: Select the length of time you want the channel to dwell during the sequence



QSD9004 Setting up the Sequence Feature

STEP 5: After you finish selecting the dwell times for each channel, move the cursor to “APPLY” and press Select. Once your settings are saved, exit to the main display



STEP 6: Press the “Select” button, and the Pop-up Menu will appear. Move the cursor to “AUTOSEQ” and press “Select” in order to start the Sequence.

