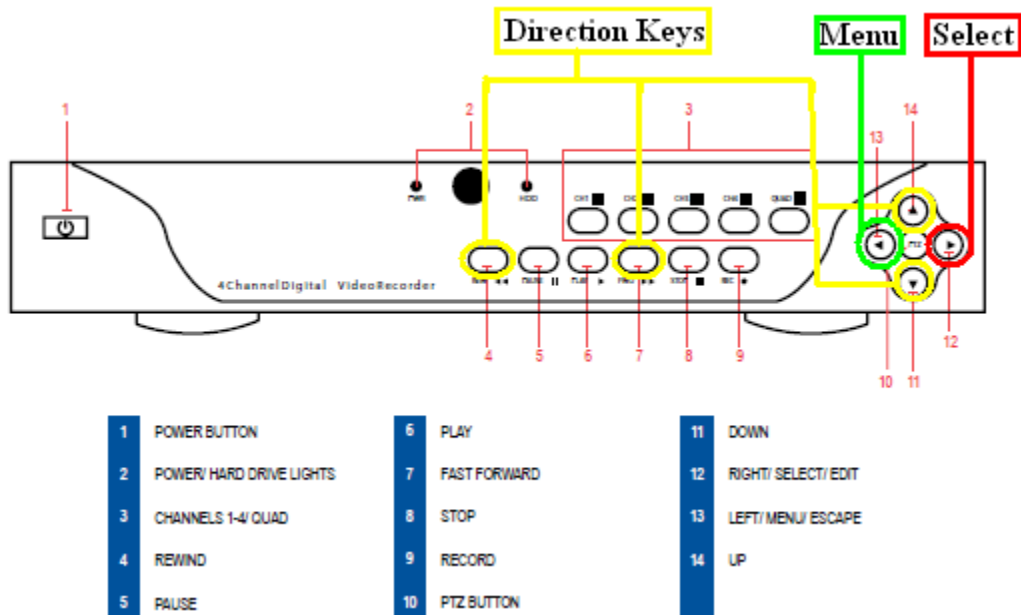


QSD9004 Manual Recording

STEP 1: Press the Menu button on the Front Panel of the DVR

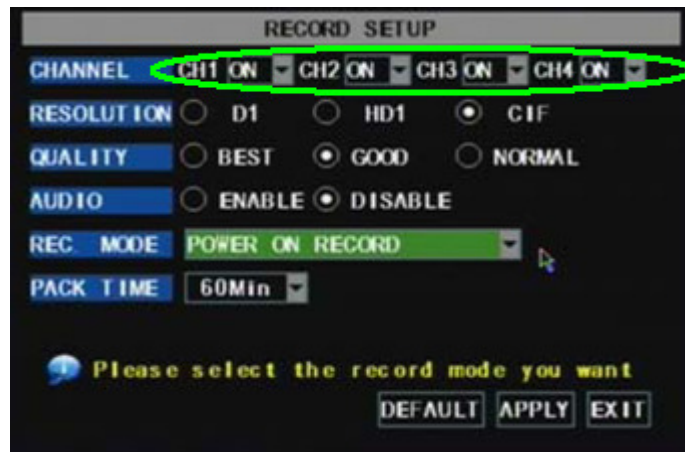


STEP 2: Move cursor to RECORD press the “Select” button on the front panel of the DVR.



QSD9004 Manual Recording

STEP 3: Set which channels you want to record (switch to “ON”)

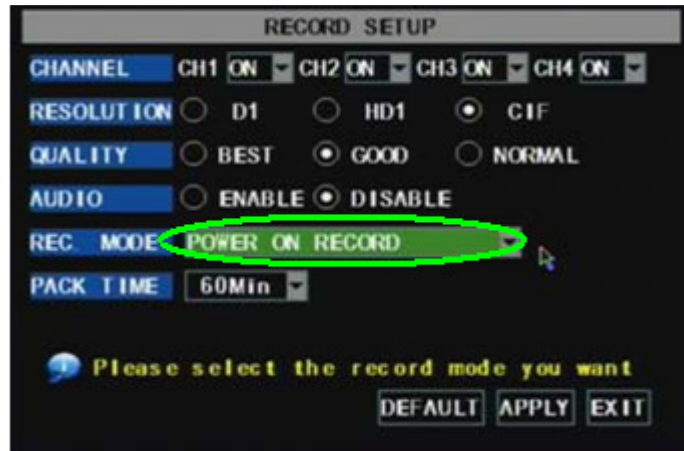


STEP 4: Set the pack time; this will determine how long each recorded file will be.



QSD9004 Manual Recording

STEP 5: Set Rec. Mode to ALWAYS



STEP 6: Move cursor to APPLY and press select.

