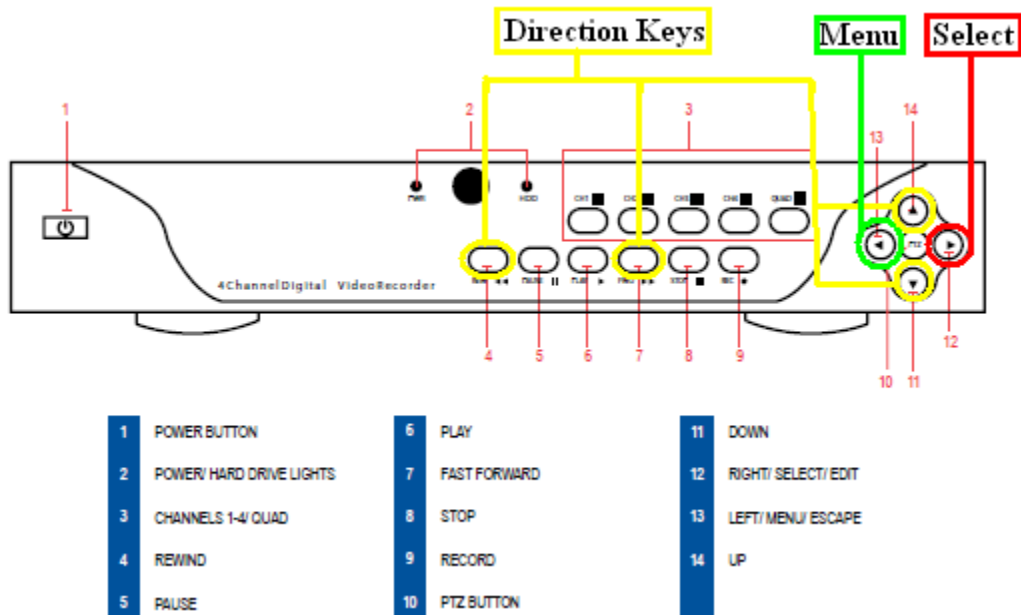


# QSD9004 Changing Date and Time

**STEP 1:** Press the Menu button on the Front Panel of the DVR

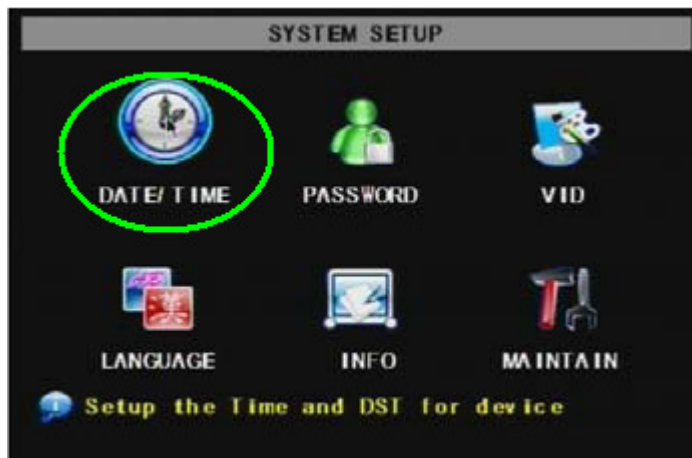


**STEP 2:** Move cursor to “SYSTEM” press the “Select” button on the front panel of the DVR.



## QSD9004 Changing Date and Time

**STEP 3:** Move cursor to “DATE/TIME” press the “Select” button on the front panel of the DVR.

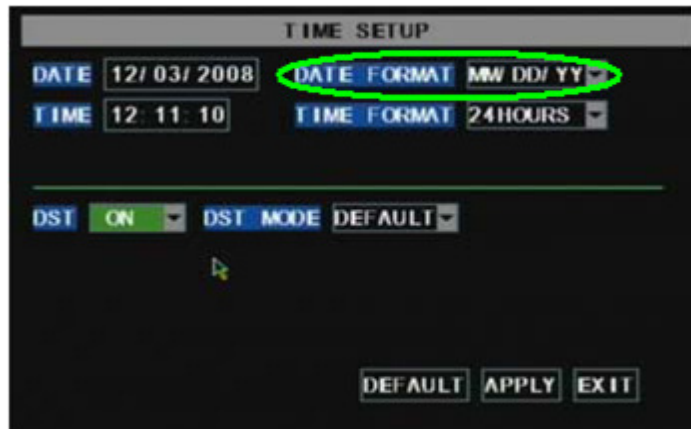


**STEP 4:** Under “DATE”, press “Select” and input the desired date.

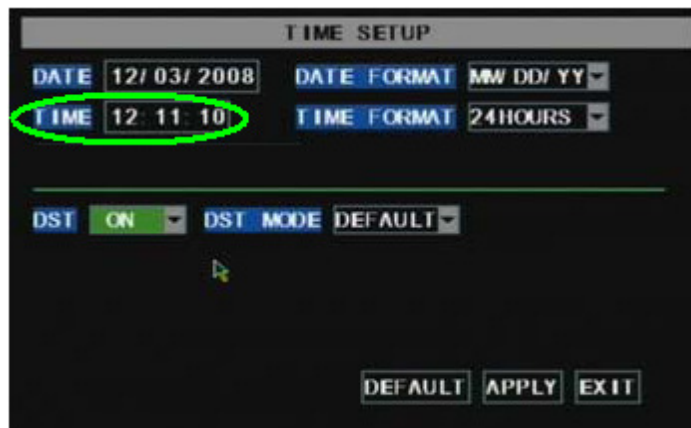


## QSD9004 Changing Date and Time

**STEP 5:** Under “DATE FORMAT”, press “Select” and input the desired date format.

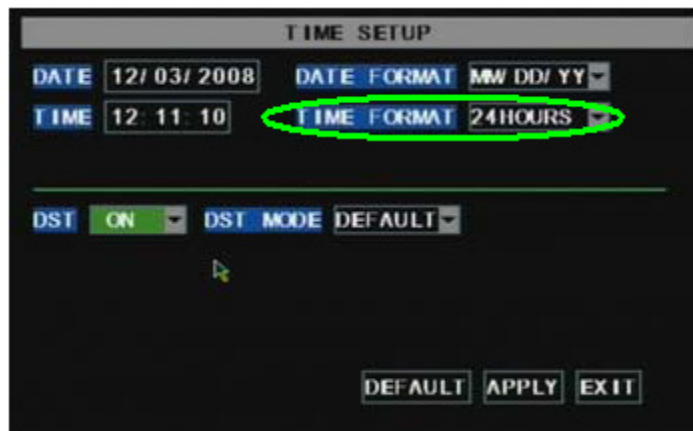


**STEP 6:** Under “TIME”, press “Select” and input the desired time



## QSD9004 Changing Date and Time

**STEP 7:** Under “TIME FORMAT”, press “Select” and input the desired time format.



**STEP 8:** Move cursor to “APPLY” press the “Select” button on the front panel of the DVR.

